

DORO®

Cranial Stabilization & Retractor Systems



Rigid & Non-invasive
Headrest Systems

Intra-Operative
Solutions

Halo & Retractor
Systems

Accessories

DORO® – *Simply Better Built ... Simply More Choices.*



DORO®

DORO® Cranial Stabilization & Retractor Systems

Know-How, Innovation, Quality and Service

pro med instruments (PMI) was founded in 1993 and is headquartered in Freiburg, Germany. Since 1998 the DORO® product line has been marketed worldwide.

Our core products are cranial stabilization and retractor systems for neurosurgical applications. In addition, our product portfolio offers a wide range of accessories, customized products as well as a distinct selection of non-stick bipolar forceps. Our international distributors are chosen because of their high level of service, their focus and expertise in neurosurgery.

PMI Quality Policy

At pro med instruments the quality and safety of our company's products is our top priority.

- We are committed to provide products that meet our rigorous standards for safety and effectiveness, as well as applicable legal and regulatory requirements.
- We are committed to deliver high quality products and services to achieve complete customer satisfaction.
- We believe that a fair and trustful cooperation with our business partners is the foundation for continued development of the product range.
- We are committed to continuously improve the effectiveness of our quality management system, our products and our services.

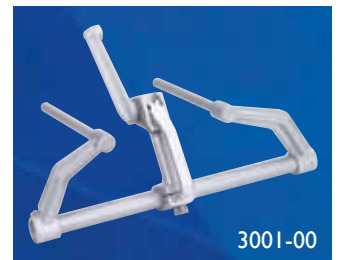
Every product we sell represents the commitment of our people to provide medical technology that improves the quality of life for the patients we serve. Motivated employees are the basis of our achievement.



For all ISO certificates
visit our website.

headrest.de

DORO® Aluminum Headrest System




DORO® QR3 Headrest System

(shown with DORO® Skull Pins)

Item-No. 1001.100 (Set)*:

Description	Item-No.
DORO® QR3 Skull Clamp	1001.001
DORO® Swivel Adaptor Aluminum	3002-00
DORO® Base Unit Aluminum	3001-00

* US Set Item-No. 1001.100-US includes Base Unit Aluminum 3001-00-US.

 Skull Pins are not included in Headrest System Sets.
DORO® Skull Pins are shown on page 10.

Other Key Accessories

DORO® Adjustable Base Unit US	3001-00-US
DORO® Adjustable Base Unit Muranaka	3001-001
DORO® Adjustable Base Unit Mizuho	3001-002
DORO® Adjustable Base Unit Eschmann	3001-003
DORO® Adjustable Base Unit Parkbench	3001-006
DORO® Adjustable Base Unit Australia	3001-008
DORO® Adjustable Base Unit Eschmann T-Series	3001-010
DORO® Ball Pivot Adaptor	3002-50
DORO® Swivel Adaptor Navigation	3002-60

Key Features

- 3-pin rigid cranial fixation.
- For supine, prone, lateral and sitting positions.^Δ
- Excellent stability and flexibility.
- Interchangeable with DORO® radiolucent Base Units and Adaptors.^{ΔΔ}

^Δ Sitting positions: Only in conjunction with the DORO® Crossbar Adaptor (shown on page 31).

^{ΔΔ} Interchangeability is only provided when using the corresponding accessories (shown on page 18).

NEW!



DORO® QR3 Skull Clamp & 'Rail It' Accessories

Description	Item-No.
DORO® QR3 Skull Clamp	1001.001
DORO® QR3 Skull Clamp w/ 2 Quick-Clamps	1001.010
DORO® Quick-Clamp	1202.014
DORO® Quick-Clamp Twin QR Coupling Set	1201.010
DORO® Quick-Clamp IGS Arm Coupling Set	1201.040
DORO® Easy Connect Navigation Adaptor, Stryker®	1204.001
DORO® Easy Connect Navigation Adaptor, BRAINLAB	1204.002



All DORO® Retractor Systems and 'Rail-It' Accessories on page 20-27

Key Features

QR3 -improved ergonomics-

- 3-pin rigid cranial fixation.
- More stable. Design can bear more load due to state-of-the-art engineering.
- Smoother adjustment of skull clamp width and Quick Release Knob enables quick set-up and easy removal.
- **Straighter, wider & deeper QR3 Quick-Rail®:**
 - Clear interface access and larger clamping area for a stronger, solid connection of accessories in the sterile field.
 - Easy to locate under multiple layers of sterile drape.
 - Saves the surgeon time and effort.
 - Built-in starburst, on both sides of the Quick-Rail® provides direct and secure attachment of movement-sensitive navigation tracking devices.
 - All 'Rail-It' Accessories are backwards compatible through the Quick-Clamp.

DORO® Aluminum Adaptors

High quality aluminum adaptors to connect DORO® aluminum Skull Clamps and Horseshoes to the Base Unit.



DORO® **Swivel Adaptor**
Item-No. 3002-00

- Provides 360° rotation for optimum flexibility in patient positioning.



DORO® **Ball Pivot Adaptor**
Item-No. 3002-50

- Provides 360° rotation and pivoting.
- Unique horizontal inclination up to 90° for maximum flexibility in patient positioning.



DORO® **Swivel Adaptor Navigation**
Item-No. 3002-60

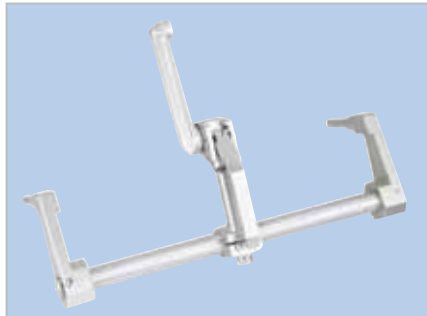
- Provides 360° rotation for optimum flexibility in patient positioning.
- Two additional starbursts for increased options in mounting navigational devices.

DORO® Aluminum Base Units

Largest selection of headrest mounting devices for standard OR tables. Excellent stability and durability. Easy to install in OR table rod slots. Compatible with all DORO® Headrest Systems and other brands.



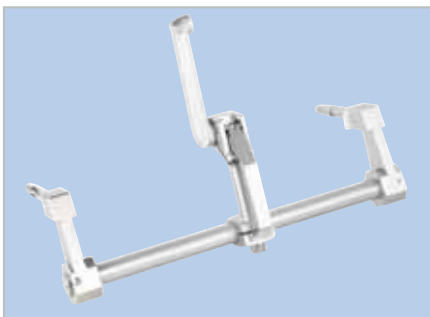
DORO® **Adjustable Base Unit / DORO® Adjustable Base Unit US**
Item-No. 3001-00/ 3001-00-US



DORO® **Adjustable Base Unit Muranaka**
Item-No. 3001-001



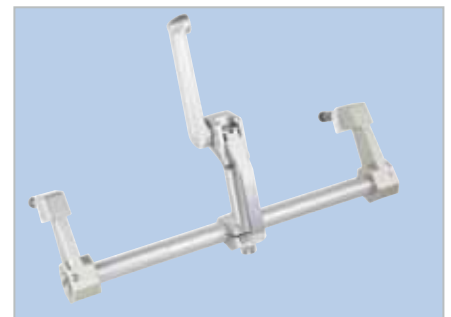
DORO® **Adjustable Base Unit Mizuho**
Item-No. 3001-002



DORO® **Adjustable Base Unit Eschmann**
Item-No. 3001-003



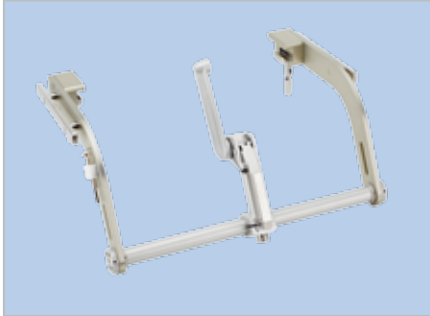
DORO® **Adjustable Base Unit Australia**
Item-No. 3001-008



DORO® **Adjustable Base Unit Eschmann T-Series**
Item-No. 3001-010

DORO® Base Unit Parkbench

Provides additional space for positioning the patient's arm comfortably and safe on the Armrest between OR table and Parkbench rod. The Armrest Parkbench is mounted by means of the Universal Side Rail Fitting.



DORO® **Base Unit Parkbench**
Item-No. 3001-006



Armrest Parkbench
Item-No. 3001-007



Universal Side Rail Fitting
Item-No. 3007-50

Exclusively from
pumi
pro med instruments

Full lateral position may improve hemodynamics and decrease nerve impingement complications.

Key Features

- For prone, supine and especially useful for lateral positioning.
- Ideal for OR tables without traditional two rod slots.
- Unit slides under OR table for prone and supine position, built-in side rails on both arms return the functionality of the original OR table side rails.
- Easy to set-up with one self-locking lever for maximum stability.

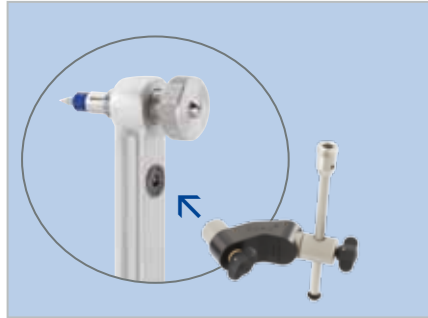


DORO® Easy Connect Navigation Adaptors



DORO® Easy Connect Navigation Adaptor Stryker®
Item-No. 1204.001

- Connects directly to the QR3 Quick-Rail®.
- For Stryker® Navigation Device.



DORO® Easy Connect Navigation Adaptor BRAINLAB
Item-No. 1204.002

- Connects directly to the QR3 Quick-Rail®.
- For BRAINLAB Navigation Device.



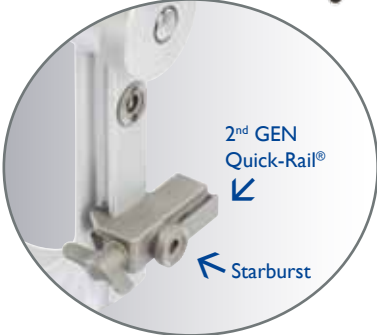
DORO® QR3 Skull Clamp - Navigation Ready -

DORO® 'Rail-It' Accessories



DORO® Quick-Clamp:

Backwards compatible: The new Quick-Clamp can be attached to 1st and 2nd GEN Quick-Rail®. Allows a secure attachment of the new DORO® 'Rail-It' Accessories like the DORO® Easy Connect Navigation Adaptors to the Skull Clamp 3003-00.



DORO® Quick-Rail® Accessories:

Starburst and 2nd GEN Quick-Rail® integrated in the Quick-Clamp allows a strong and secure attachment of all DORO® 'Rail-It' and Quick-Rail® Accessories.



IGS Articulated Support Arm

Support Arm for image-guided applications for tumor biopsies, electrode placements and neuroendoscopy. Connects directly to Quick-Clamp (see page 21 & 26).

All DORO® Retractor Systems and 'Rail-It' Accessories on page 20-27




DORO® Teflon® Headrest System



DORO® Headrest System Teflon® (shown with DORO® Skull Pins)

Description	Item-No.
DORO® Skull Clamp Teflon®	3003-009
DORO® Swivel Adaptor Teflon®	3002-009
DORO® Adjustable Base Unit Teflon®	3001-009

 Skull Pins are not included in Headrest System Teflon®.
DORO® Skull Pins are shown on page 10.

Key Features

- Autoclavable.
- Machine washable.
- Conforms to WHO Infection Control Guidelines for cleaning and sterilization.
- 3-pin rigid cranial fixation.
- For supine, prone, lateral or sitting position.^Δ
- Excellent stability and flexibility.
- Exclusive – only available from PMI.

^Δ Sitting positions: Only in conjunction with the DORO® Crossbar Adaptor (shown on page 31).

The **ONLY** Headrest System that can be sterilized for high risk infection patients.

DORO® Disposable Skull Pins



Precision-machined skull pin tips for accurate pin placement.



Furrowed grip allows easy removal.

Unique shaft ridges compensates for variation in pin receptacles. Ensures secure fixation of the skull pin.

Key Features

- 12 sterile packs of 3 skull pins (36 pins/box).
- Color-coded for ease of use.
- Designed for precise rigid fixation.
- For conventional surgery and for Intra-Op use in conjunction with CT, DSA, Fluoroscopy and MRI imaging.
- Convenient packaging with strong protective cap, easy and safe to handle.
- Compatible with other brands skull clamps.



DORO® Disposable Skull Pins Adult, Stainless Steel
Color: Blue
Item-No. 3006-00



DORO® Disposable Skull Pins Pediatric, Stainless Steel
Color: Yellow
Item-No. 3006-10



DORO® Disposable Skull Pins Adult, Titanium
Color: Turquoise
Item-No. 3006-20



DORO® Disposable Skull Pins Pediatric, Titanium
Color: Green
Item-No. 3006-30



DORO® Disposable Skull Pins Adult, Stainless Steel
Color: Black
Item-No. 3006-50



DORO® Disposable Skull Pins Pediatric, Stainless Steel
Color: Red
Item-No. 3006-60

DORO® Reusable Skull Pins



DORO® Reusable Skull Pins Adult, Stainless Steel
Color: Black
Item-No. 3005-00



DORO® Reusable Skull Pins Pediatric, Stainless Steel
Color: Black
Item-No. 3004-00

Key Features

- Packages of 3 Skull Pins per pack.
- Can be sterilized.
- Precision-manufactured of stainless steel in adult and pediatric sizes.
- Designed for easy installation and removal.

DORO® Aluminum Swivel Horseshoe Headrest

Also available in radiolucent material see page 17



DORO® Swivel Horseshoe Headrest, Adult

Item-No. 3009-00 w/ Extension Bar
Item-No. 3009-02 w/o Extension Bar

- Includes adult size horseshoe gel pads.



DORO® Swivel Horseshoe Headrest, Pediatric

Item-No. 3008-00 w/ Extension Bar
Item-No. 3008-02 w/o Extension Bar

- Includes pediatric size horseshoe gel pads.

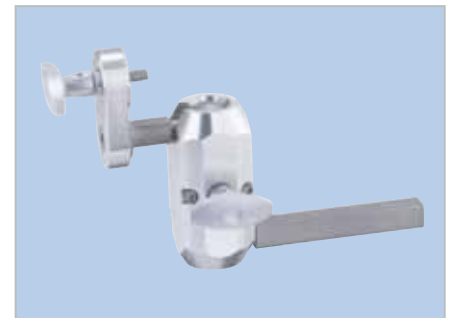
Additional Accessories

Description	Item-No.
DORO® Horseshoe Pad, Pediatric, right	3008-10
DORO® Horseshoe Pad, Pediatric, left	3008-11
DORO® Horseshoe Pad, Adult, right	3009-10
DORO® Horseshoe Pad, Adult, left	3009-11

Key Features

- Universal Horseshoe Headrest designed for adult or pediatric applications in prone or supine positioning.
- Mounted to a DORO® Swivel Adaptor Aluminum or to the DORO® Horseshoe Table Adaptor.
- Gel Pads interchangeable for adult or pediatric application.
- Permits vertical and lateral adjustments for proper patient positioning.
- Gel pads are easy to remove and to clean.
- Compatible with other brand adaptors having standard starburst connections.

DORO® Horseshoe Table Adaptor



DORO® Horseshoe Table Adaptor
Item-No. 3009-16

- Connects the DORO® Horseshoe Headrest directly to the OR table without Swivel Adaptor and Base Unit. Adjustable in multiple planes.

The DORO® Horseshoe Headrest can be mounted to a DORO® Swivel Adaptor Aluminum or to the Horseshoe Table Adaptor.



Horseshoe mounted to a DORO® Swivel Adaptor.



Horseshoe mounted to a DORO® Horseshoe Table Adaptor.

DORO® Multi-Purpose Skull Clamp

shown w/ Head Support and Gel Pads

Exclusively from
pmi
pro med instruments



Adjustment Key
Item-No. 3020-65



Configuration A:

Standard 3-point fixation.

Configuration B:

4-point fixation for pediatric patients where rigid fixation is required.

Configuration C:

For all non-invasive applications where cranial stabilization is required. All gel pads are interchangeable. Ideal for patient sphinx positioning.



Extension Assembly
90N/20 lbs Pressure
(3020-52)



Storage Case MPSC Set
Item-No. 3020-001
(shown with Multi-Purpose
Skull Clamp and Accessories)

Key Features

- For all ages: newborn, pediatric and adult applications.
- Provides 3 or 4-point fixation or all non-invasive gel pad cranial stabilization.
- Interchangeable with quick-change options: Pin Holders, Gel Ear Rings, Gel Head Rings and adjustable Trio Gel Pad.
- Head Support included. Easy to set-up and use.
- Trio Gel Pad is superior for prone positioning.
- Two Torque Screw Options: 360N/80lbs and 90N/20-lbs.
- Quick-Rail® Technology for quick connection of accessories like Retractor Arms, J-Arms and Halo Retractor Systems.
- Compatible with DORO® or other brand adaptors and base units via starburst.

DORO® Gel Pads



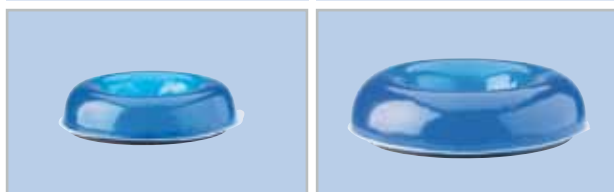
Gel Pad
Item-No. 3020-02

Trio Gel Pad, (adjustable)
Item-No. 3020-71



Gel Ear Ring Open w/ Base 90 mm
Item-No. 3020-68

Gel Ear Ring Open w/ Base 140 mm
Item-No. 3020-70



Gel Head Ring w/ Base 90 mm
Item-No. 3020-61

Gel Head Ring w/ Base 140 mm
Item-No. 3020-63

DORO® Pin Holder



Single Pin Holder
Item-No. 3020-55

Dual Pin Holder, Adult
Item-No. 3020-56



Dual Pin Holder, Pediatric
Item-No. 3020-01

Dual Pin Holder Adjustable, Pediatric
Item-No. 3020-62

DORO® Multi-Purpose Skull Clamp Set

Item-No. 3020-00 (Set):

Description	Item-No.
DORO® Disposable Skull Pins, Pediatric (36pcs)	3006-10
Dual Pin Holder, Pediatric	3020-01
DORO® Head Support (w/o Gel Pads)	3020-03
DORO® Multi-Purpose Skull Clamp (MPSC)	3020-50
Single Pin Holder	3020-55
Gel Head Ring w/ Base 90 mm (3pcs)	3020-61
Dual Pin Holder Adjustable, Pediatric	3020-62
Gel Head Ring w/ Base 140 mm	3020-63
Adjustment Key	3020-65
Gel Ear Ring Open w/ Base 90 mm (2pcs)	3020-68
Trio Gel Pad (adjustable)	3020-71
Storage Case MPSC Set	3020-001

DORO® Abbott Multi-Purpose Skull Clamp Set, Pediatric

Item-No. 3021-00 (Set):

Description	Item-No.
DORO® Disposable Skull Pins, Pediatric (36pcs)	3006-10
Dual Pin Holder Pediatric	3020-01
DORO® Head Support (w/o Gel Pads)	3020-03
DORO® Multi-Purpose Skull Clamp (MPSC)	3020-50
Extension Assembly 90N/20lbs Pressure	3020-52
Single Pin Holder	3020-55
Gel Head Ring w/ Base 90 mm (3pcs)	3020-61
Pin Holder Adjustable, Pediatric	3020-62
Gel Head Ring w/ Base 140 mm	3020-63
Adjustment Key	3020-65
Gel Ear Ring Open w/ Base 90 mm (2pcs)	3020-68
Trio Gel Pad (adjustable)	3020-71
Storage Case MPSC Set	3020-001

DORO® Universal Multi-Purpose Skull Clamp Set

Item-No. 3022-00 (Set):

Description	Item-No.
DORO® Disposable Skull Pins, Adult (36pcs)	3006-00
DORO® Disposable Skull Pins, Pediatric (36pcs)	3006-10
Dual Pin Holder Pediatric	3020-01
Gel Pad	3020-02
DORO® Head Support (w/o Gel Pads)	3020-03
DORO® Multi-Purpose Skull Clamp (MPSC)	3020-50
Extension Assembly 90N/20lbs Pressure	3020-52
Single Pin Holder	3020-55
Dual Pin Holder Adult	3020-56
Gel Head Ring w/ Base 90 mm (3pcs)	3020-61
Pin Holder Adjustable, Pediatric	3020-62
Gel Head Ring w/ Base 140 mm	3020-63
Adjustment Key	3020-65
Gel Ear Ring Open w/ Base 90 mm (2pcs)	3020-68
Trio Gel Pad (adjustable)	3020-71
Storage Case MPSC Set	3020-001

DORO® Radiolucent Headrest System



3034-00



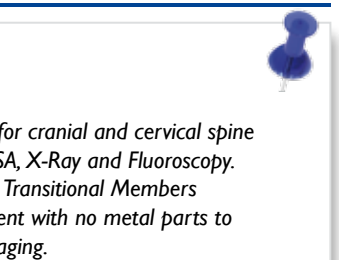
3033-00



3032-20



3032-10



3031-00

DORO® Radiolucent Headrest System

(shown with DORO® Skull Pins)

Item-No. 3030-00 (Set):

Description	Item-No.
DORO® Disposable Skull Pins Titanium, Adult	3006-20
DORO® Storage Case Headrest System Radiolucent	3030-001
DORO® Skull Clamp Radiolucent	3034-00
DORO® Swivel Adaptor Radiolucent	3033-00
DORO® Transitional Member Radiolucent, short (120 mm)	3032-20
DORO® Transitional Member Radiolucent, long (160 mm)	3032-10
DORO® Base Unit Radiolucent	3031-00



For DORO® Skull Pins view page 10.

Other Key Accessories

DORO® Disposable Skull Pins Titanium, Pediatric (36 pcs)	3006-30
DORO® Table Adaptor MAQUET, Radiolucent	3031-50
DORO® Transitional Member Radiolucent (to ALU Base Unit)	3032-00
DORO® Transitional Member Radiolucent, Bracing	3032-21
DORO® Swivel Adaptor Radiolucent, short	3033-10
DORO® Swivel Adaptor Radiolucent Interface SM iCT, short	3033-12
Interface Skull Clamp Radiolucent to ALU Swivel Adaptor	3033-50
Interface Skull Clamp Aluminum to RDL Swivel Adaptor	3033-51
Universal DRF Adaptor Radiolucent w/ Key	3038-30
DORO® Angiography Table Adaptor SIEMENS	4003-00

Key Features

- 3-point cranial fixation for cranial and cervical spine procedures using CT, DSA, X-Ray and Fluoroscopy.
- Skull Clamp, Swivel and Transitional Members are completely radiolucent with no metal parts to interfere with digital imaging.
- Wide image window.
- Set-up is easy with large star grasp knobs.
- Compatible and interchangeable with a full line of DORO® radiolucent and aluminum Base Units and Accessories (see page 18).

DORO® Radiolucent Skull Clamp



✓ COMPLETE RADIOLUCENCY
✓ MRI SAFE & COMPATIBLE



DORO® Skull Clamp Radiolucent & Accessories

Description	Item-No.
DORO® Skull Clamp	3034-00
Flexible Rotary Arm for RDL Quick-Rail® 280 mm	3114-39
Flexible Rotary Arm for RDL Quick-Rail® 420 mm	3114-49
DORO® Navigation Adaptor, Stryker®	3033-64
DORO® Navigation Adaptor, Medtronic	3033-65
DORO® Navigation Adaptor, BRAINLAB	3033-66

 For DORO® Skull Pins view page 10.



**DORO® Storage Case
Headrest System
Radiolucent**
Item-No. 3030-001
(shown with Headrest
System Radiolucent)

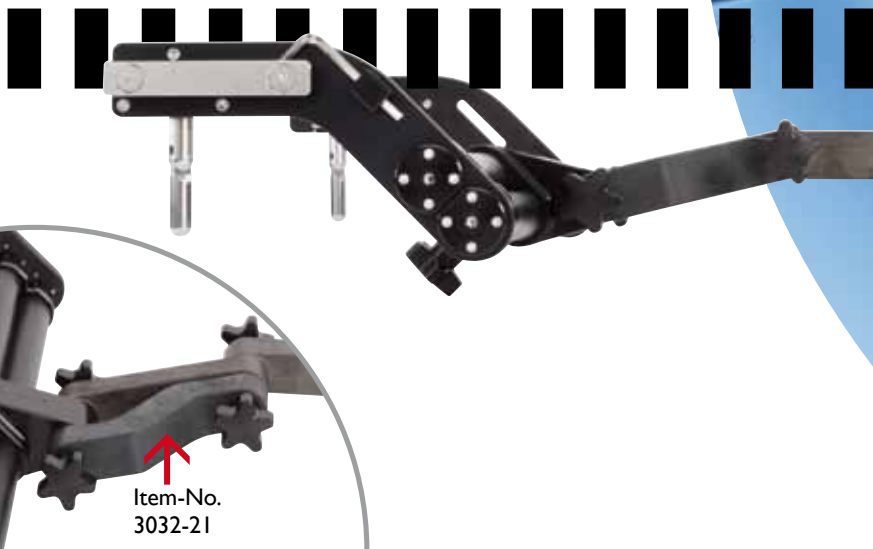
Key Features

- MRI-SAFE, FDA-cleared Skull Clamp.
- Skull Clamp is completely radiolucent with no metal parts to interfere with digital imaging.
- One step pinning. No need to install separate device for imaging.
- Proven strength and stability.
- Narrow profile to fit in small scanner gantry.
- Quick-Rail® Technology for fast and easy connection of accessories such as Retractor Arms, Halo Retractors and Navigation Adaptors.

DORO® Intra-Op CT Headrest System

Intra-Operative imaging enables surgeons to visualize the anatomy of a patient's brain during surgery, compare it to pre-surgical scans and precisely track the location of their surgical instruments in relation to the anatomy.

Particularly useful for neurosurgical procedures such as tumor resections, shunt placements, biopsy procedures, AVM resections, hematoma evacuations, CSF Management and DBS procedures.



Item-No.
3032-21

DORO® Intra-Op CT Headrest System

Item-No. 3030-300 (Set):

Description	Item-No.
DORO® Disposable Skull Pins Titanium, Adult	3006-20
DORO® Storage Case Headrest System Radiolucent	3030-001
DORO® Skull Clamp Radiolucent	3034-00
DORO® Swivel Adaptor Radiolucent, short	3033-10
DORO® Transitional Member Radiolucent, Bracing	3032-21
DORO® Transitional Member Radiolucent, short (120 mm)	3032-20
DORO® Transitional Member Radiolucent, long (160 mm) (2pcs)	3032-10
DORO® Base Unit Radiolucent	3031-00

 For DORO® Skull Pins view page 10.

For more **Intra-Operative Solutions** using DORO® Headrest Systems and Table Adaptors such as

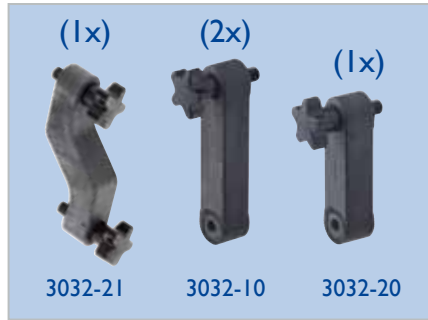
- Maquet MAGNUS® Operating/Imaging Table
- MizuhOSI Insite™ Table for NeuroLogica BodyTom™ and Medtronic C-Arm® and O-Arm® Imaging Systems
- Schaeferer AXIS 800 Operating Table
- SIEMENS Artis zee family of surgical imaging with Artis Table
- SIEMENS Artis zee family with Trumpf OR/Imaging Table

visit headrest.de

Key Features

- Extra bracing and transitional members allow increased reach for optimum ISO center positioning in scanner.
- Skull Clamp, Swivel Adaptors, Transitional Members, and Bracing are completely radiolucent with no metal parts to interfere with digital imaging.
- Base Unit can be moved below and under the OR imaging table to bring scanner closer to the bed.
- Extra wide image window.
- Navigation Tracking Devices can be mounted on the Quick-Rail® of the Skull Clamp or on its starbursts.
- Compatible with most modern OR surgical/ imaging tables and with most surgical imaging systems, such as the Medtronic O-Arm® and the NeuroLogica BodyTom™.

DORO® Intra-Op CT Horseshoe RS Headrest System



DORO® Intra-Op CT Horseshoe RS Headrest System
Item-No. 3036-300 (Set):

Description	Item-No.
DORO® Horseshoe RS Headrest RDL, Adult w/ Extension Bar	3036-70
DORO® Transitional Member Radiolucent, Bracing	3032-21
DORO® Transitional Member Radiolucent, short (120 mm)	3032-20
DORO® Transitional Member Radiolucent, long (160 mm) (2pcs)	3032-10
DORO® Base Unit Radiolucent	3031-00

Also available for pediatric applications:

DORO® Horseshoe RS Headrest RDL, Pediatric w/ Extension Bar 3035-70

Accessories for Intra-Op CT and Swivel Horseshoe

DORO® Horseshoe Pad, Pediatric, right	3008-10
DORO® Horseshoe Pad, Pediatric, left	3008-11
DORO® Horseshoe Pad, Adult, right	3009-10
DORO® Horseshoe Pad, Adult, left	3009-11

Key Features

- Provides cranial support in the prone or supine position for adults and children for CT imaging and Fluoroscopy.
- Radiolucent to minimize artifacts.
- Connects directly to the Transitional Member for chin-to-chest positioning.
- Extra bracing and transitional members allow increased reach for optimum ISO center positioning in scanner.
- Base Unit can be moved below and under the OR imaging table to bring patient closer to bed.
- Support carrier features Quick-Rail® for fast connection of retractor arms.
- Permits vertical and lateral adjustments.
- Compatible with pediatric Gel Pads for younger children. Gel Pads easy to remove and clean.
- Includes Extension Bar for skeletal traction.

DORO® Radiolucent Swivel Horseshoe



DORO® Swivel Horseshoe Headrest, Radiolucent, Adult
Item-No. 3036-00 w/ Extension Bar

- Includes adult size horseshoe gel pads.



DORO® Swivel Horseshoe Headrest, Radiolucent, Pediatric
Item-No. 3035-00 w/ Extension Bar

- Includes pediatric size horseshoe gel pads.

Key Features

- Universal Horseshoe Headrest for adult and pediatric cranial support in the prone or supine position for CT imaging and Fluoroscopy.
- Radiolucent to minimize artifacts.
- Support carrier features Quick-Rail® for fast connection of retractor arms.
- Interchangeable Gel Pads for adult and pediatric applications.
- Gel Pads easy to remove and clean.
- Includes Extension Bar for skeletal traction.

Connects directly to the Swivel Adaptor for 360° rotation for optimum flexibility in patient positioning. Also provides vertical and lateral adjustments.

DORO® Mix & Match for Cranial and Spine Applications

CONFIGURATION A:



#3033-51

CONFIGURATION A:

Cervical Spine Applications

Description	Item-No.
DORO® QR3 Skull Clamp	1001-001
Interface Skull Clamp Aluminum (to RDL Swivel Adaptor)	3033-51
DORO® Swivel Adaptor Radiolucent	3033-00
DORO® Transitional Member Radiolucent, short (120 mm)	3032-20
DORO® Transitional Member Radiolucent, long (160 mm)	3032-10
DORO® Base Unit Radiolucent	3031-00



For DORO® Skull Pins view page 10.

3033-51 allows the connection of an aluminum Skull Clamp to a radiolucent Swivel Adaptor and Base Unit.

CONFIGURATION B:



#3032-00

CONFIGURATION B:

Cranial and Cervical Spine Applications with CT, DSA, Fluoroscopy

Description	Item-No.
DORO® Skull Clamp Radiolucent	3034-00
DORO® Swivel Adaptor Radiolucent	3033-00
DORO® Transitional Member Radiolucent, (to ALU Base Unit)	3032-00
DORO® Base Unit Aluminum	3001-00



For DORO® Skull Pins view page 10.

3032-00 allows the connection of a radiolucent Swivel Adaptor and Skull Clamp to an aluminum Base Unit.

CONFIGURATION C:



#3033-50

CONFIGURATION C:

Cranial Applications with CT, DSA, Fluoroscopy

Description	Item-No.
DORO® Skull Clamp Radiolucent	3034-00
Interface Skull Clamp Radiolucent (to ALU Swivel Adaptor)	3033-50
DORO® Swivel Adaptor Aluminum	3002-00
DORO® Base Unit Aluminum	3001-00



For DORO® Skull Pins view page 10.

3033-50 allows the connection of a radiolucent Skull Clamp to an aluminum Swivel Adaptor and Base Unit.

DORO® Intra-Operative Headrest System Accessories



DORO® Swivel Adaptor Radiolucent
Item-No. 3033-00



DORO® Swivel Adaptor Radiolucent, short
Item-No. 3033-10



DORO® Swivel Adaptor Radiolucent, Interface SM iCT, short
Item-No. 3033-12



DORO® Transitional Member Radiolucent (to ALU Base Unit)
Item-No. 3032-00



DORO® Transitional Member Radiolucent, long (160 mm)
Item-No. 3032-10



DORO® Transitional Member Radiolucent, short (120 mm)
Item-No. 3032-20



DORO® Transitional Member Radiolucent, Bracing
Item-No. 3032-21



Interface Skull Clamp Radiolucent (to ALU Swivel Adaptor)
Item-No. 3033-50



Interface Skull Clamp Aluminum (to RDL Swivel Adaptor)
Item-No. 3033-51



DORO® Angiography Table Adaptor SIEMENS (for Artis Table)
Item-No. 4003-00

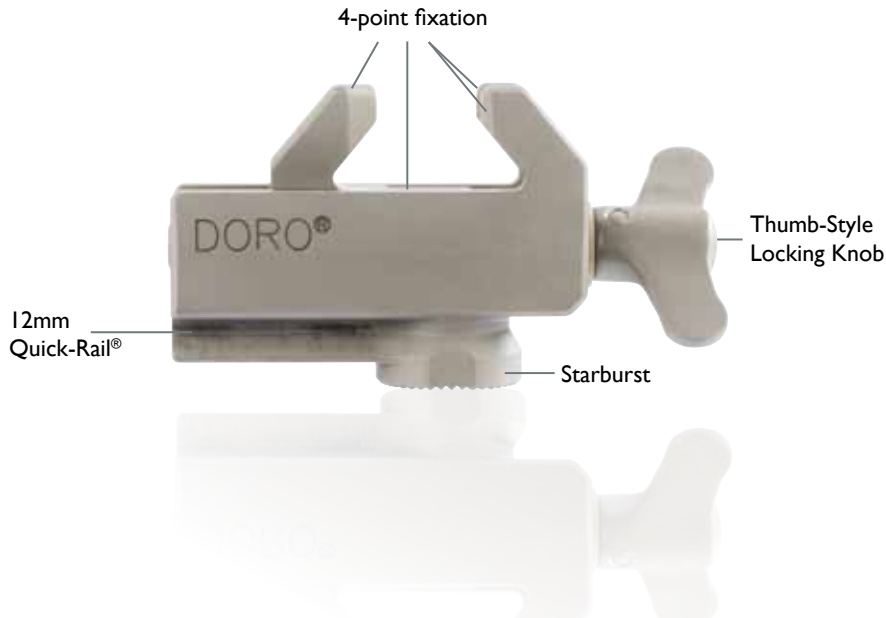
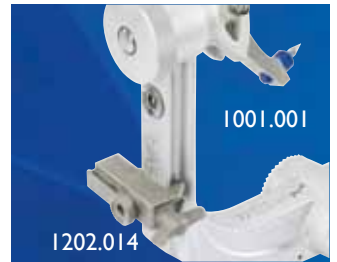


DORO® Table Adaptor MAQUET, Radiolucent
Item-No. 3031-50



DORO® Universal DRF Adaptor Radiolucent (includes Key)
Item-No. 3038-30

NEW!



DORO® 'Rail-It' Accessories

Description	Item-No.
DORO® Quick-Clamp	1202.014
DORO® Quick-Clamp Twin QR Coupling Set	1201.010
DORO® Quick-Clamp IGS Arm Coupling Set	1201.040
DORO® Quick-Clamp w/ Interface Mizuho-Type Retractors	1201.045
DORO® Quick-Clamp Halo Coupling Set	1202.010
DORO® Quick-Clamp J-Arm Coupling Set	1203.010

Key Features

- DORO® Quick-Clamp provides a strong, solid connection.
- Larger clamping area maintains superior stability of accessories even over multiple layers of sterile drape.
- Built-in starburst and 12 mm Quick-Rail® for compatibility with current accessories.
- Eliminates the need for C-Clamps.
- Made of stainless steel.
- Can be sterilized.



Halo Set-up with
DORO® Quick-Clamp
Halo Coupling Set
(1202.010)

DORO® Quick-Clamp and 'Rail-It' Accessories



STRONG, SOLID CONNECTION

The DORO® Quick-Clamp provides a secure, strong and stable connection of accessories to any DORO® Skull Clamp with Quick-Rail® (1st to 3rd Generation). The dovetail shape of the DORO® Quick-Rail® and the inverse dovetail shape of the DORO® Quick-Clamp form the most secure, strong and stable unit.



BACKWARDS COMPATIBLE

The DORO® Quick-Clamp features a built-in 1st and 2nd GEN 12 mm Quick-Rail® and a starburst to connect current accessories to the new QR3 Skull Clamp like the Quick-Clamp Halo and J-Arm Adaptors as well as the Flexible Arms.

A: DORO® Quick-Clamp Twin QR Coupling Set (1201.010)

B: Two DORO® Flexible Rotary Arms mounted on the Quick-Clamp Coupling Twin QR (1201.043).



REPLACES QUICK-RAIL® HALO ADAPTOR (3114-55)

A: DORO® Quick-Clamp Halo Coupling Set (1202.010).

B: DORO® Halo Support Rod mounted on DORO® Quick-Clamp Halo Coupling Set (1202.010).



REPLACES QUICK-RAIL® J-ARM ADAPTOR (3114-56)

A: DORO® Quick-Clamp J-Arm Coupling Set (1203.010).

B: DORO® Quick-Rail® J-Arm Retractor System mounted on DORO® Quick-Clamp J-Arm Coupling Set (1203.010).

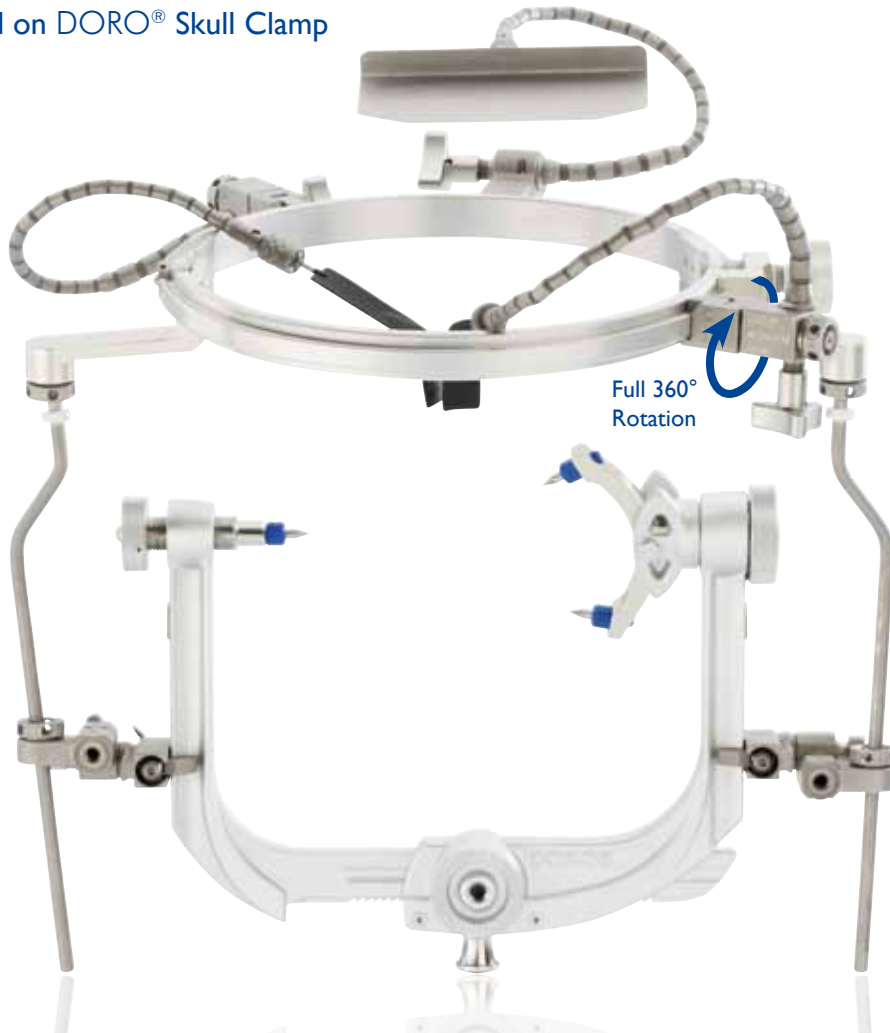


BUILT-IN STARBURST ON QUICK-CLAMP

A: DORO® Quick-Clamp IGS Arm Coupling Set (1201.040).

DORO® Quick-Clamp Halo Brain Retractor System

mounted on DORO® Skull Clamp



Halo Universal Key
Item-No. 3110-80



DORO® Quick-Clamp Halo Retractor System Item-No. 1202.100T (Set):

Description	Item-No.
DORO® Quick-Clamp Halo Coupling Set (2pcs)	1202.010
DORO® Halo Ring	3110-01
Halo Support Rod 8 mm (2pcs)	3110-08
Halo Universal Key (2pcs)	3110-80
Halo Pattie Tray	3110-85
Flexible Rotary Arm 280 mm (3pcs)	3114-37
Blade Set (5pcs), black coated, 102 mm (2sets)	3116-101
Micro Blade Set (6pcs)	3116-20
Halo Sterilization Case w/ Rack	3117-00

DORO® Halo Retractor System w/ C-Clamp Item-No. 3100-00 (Set):

DORO® Halo Ring (1pc)	3110-01
Halo Support Rod 8 mm (2pcs)	3110-08
Halo Support Bracket w/ C-Clamp Adaptor (2pcs)	3110-51
Halo Universal Key (2pcs)	3110-80
Halo Pattie Tray	3110-85
Flexible Arm 230 mm (3pcs)*	3114-34
Blade Set (5pcs), black coated, 102 mm (2sets)	3116-101
Micro Blade Set (6pcs)	3116-20
Halo Sterilization Case w/ Rack	3117-00

*Flexible Rotary Arms (3114-37) are also available for this set.

Key Features

- Double-hinged Halo with continuous Quick-Rail® for uninterrupted Flexible Arm placement. Eliminates the need to insert accessories through a fixed entry point.
- Split Rings allow angling for different level of retraction. Half Ring can be removed for greater access.
- Attaches directly to the Quick-Rail® of the DORO® Skull Clamp via Quick-Clamps.
- Available in two configurations: Quick-Clamp and C-Clamp version.
- Flexible Arms provide continuous adjustment of retraction. Blades provide fine adjustments.
- 1202.100T features Flexible Rotary Arms with full 360° rotation. Replaces Item-No. 3101-00.

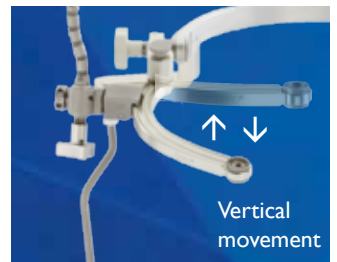
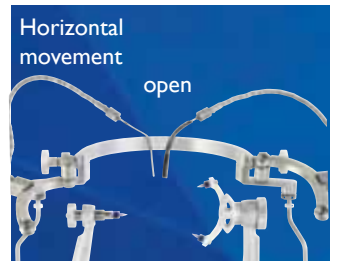
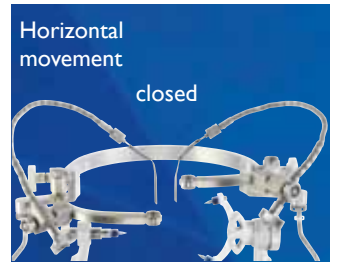
Skull Clamp and Pins are not included in Sets.
More accessories on page 26-29.



C-Clamp Set-up
(3100-00)

DORO® Quick-Clamp McCue Halo Retractor System

mounted on DORO® Skull Clamp



Halo Universal Key
Item-No. 3110-80



DORO® Quick-Clamp McCue Halo Retractor System Item-No. 1202.400T (Set):

Description	Item-No.
DORO® Quick-Clamp Halo Coupling Set (2pcs)	1202.010
DORO® Half Ring, fixed	3110-02
Halo Support Rod 8 mm (2pcs)	3110-08
Halo Universal Key (2pcs)	3110-80
Halo Pattie Tray	3110-85
Flexible Rotary Arm 280 mm (3pcs)	3114-37
Blade Set (5pcs), black coated, 102 mm (2sets)	3116-101
Micro Blade Set (6pcs)	3116-20
Halo Sterilization Case w/ Rack	3117-00
DORO® Mini J-Arm, 125 mm (2pcs)	3209-00
DORO® J-Arm to Halo Adaptor (2pcs)	3213-001

DORO® McCue J-Arm Halo Retractor System w/ C-Clamp Item-No. 3400-001 (Set):

DORO® Half Ring, fixed	3110-02
Halo Support Rod 8 mm (2pcs)	3110-08
Halo Support Bracket w/ C-Clamp Adaptor (2pcs)	3110-51
Halo Universal Key (2pcs)	3110-80
Halo Pattie Tray	3110-85
Flexible Arm 230 mm (3pcs)*	3114-34
Blade Set (5pcs), black coated, 102 mm (2sets)	3116-101
Micro Blade Set (6pcs)	3116-20
Halo Sterilization Case w/ Rack	3117-00
DORO® Mini J-Arm, 125 mm (2pcs)	3209-00
DORO® J-Arm to Halo Adaptor (2pcs)	3213-001

Key Features

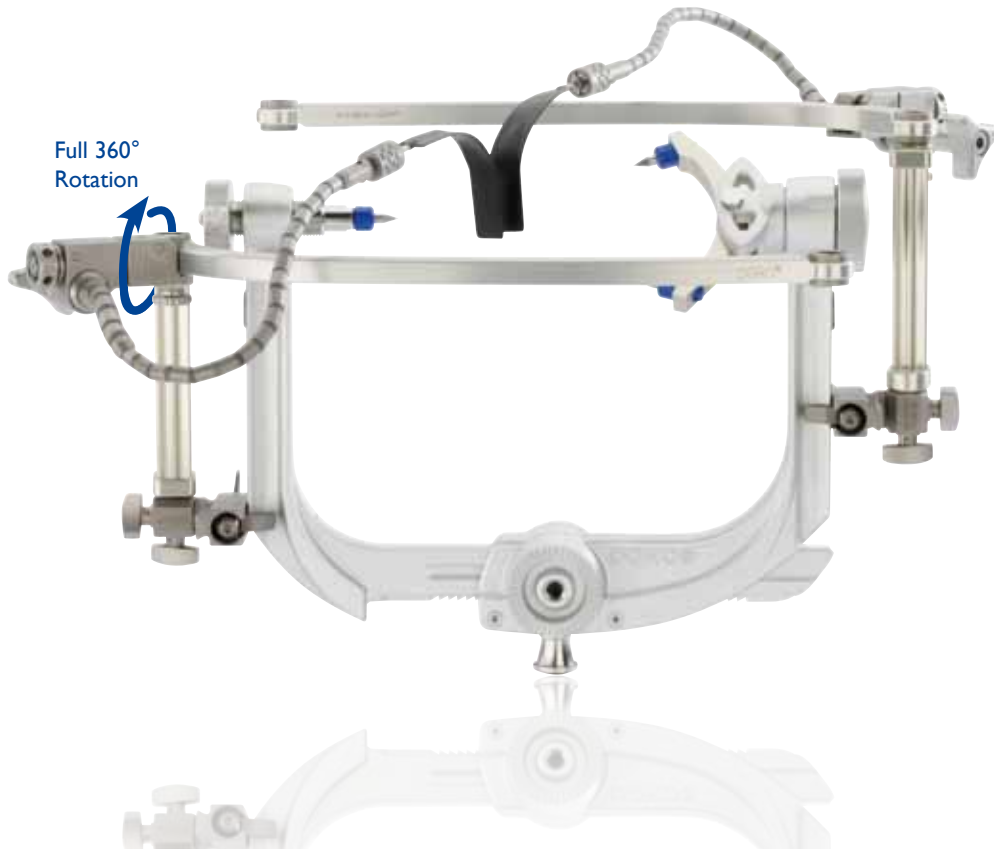
- Unobstructed access to the surgical field. An open ring is crucial for skull base applications. Recommended for posterior fossa.
- Mini J-Arm allows movement vertically and horizontally.
- Provides unparalleled positioning of flexible arms and retractor blades and a better ergonomic work environment for surgeons.
- Quick-Rail® on the Halo and J-Arm eliminates the need to insert/reposition accessories through a fixed entry point.
- Attaches directly to the Quick-Rail® of the DORO® Skull Clamp via Quick-Clamps.
- Available in two configurations: Quick-Clamp and C-Clamp version.
- 1202.400T features Flexible Rotary Arms with full 360° rotation. Replaces Item-No. 3401-00/3401-001.

Skull Clamp and Pins are not included in Sets.
More accessories on page 26-29.

*Flexible Rotary Arms (3114-37) are also available for this set.

DORO® Quick-Clamp J-Arm Retractor System

mounted on DORO® Skull Clamp



Halo Universal Key
Item-No. 3110-80



DORO® Quick-Clamp J-Arm Retractor System

Item-No. 1203.100T (Set):

Description	Item-No.
DORO® Quick-Clamp J-Arm Coupling Set (2pcs)	1203.010
Halo Universal Key (2pcs)	3110-80
Flexible Rotary Arm 280 mm (2pcs)	3114-37
Blade Set (5pcs), black coated, 102 mm (2sets)	3116-101
Support Handrest J-Arm (2pcs)	3210-52
DORO® J-Arm 300 mm (2pcs)	3211-00
J-Arm Sterilization Case w/ Rack	3214-00

DORO® J-Arm Retractor System w/ C-Clamp

Item-No. 3215-00 (Set):

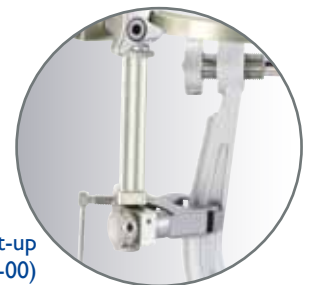
Halo Universal Key (2pcs)	3110-80
Flexible Arm 230 mm (2pcs)*	3114-34
Blade Set (5pcs), black coated, 102 mm (2sets)	3116-101
Support Handrest J-Arm (2pcs)	3210-52
DORO® J-Arm 300 mm (2pcs)	3211-00
J-Arm Support Bracket w/ C-Clamp Adaptor (2pcs)	3213-00
J-Arm Sterilization Case w/ Rack	3214-00

*Flexible Rotary Arms (3114-37) are also available for this set.

Key Features

- One of the most versatile Brain Retractor Systems.
- Attaches directly to the Quick-Rail® of the DORO® Skull Clamp via Quick-Clamps.
- Available in two configurations: Quick-Clamp and C-Clamp version.
- Quick and easy set-up.
- Lightweight yet provides superior stability.
- 1203.100T features Flexible Rotary Arms with full 360° rotation. Replaces Item-No. 3216-00.

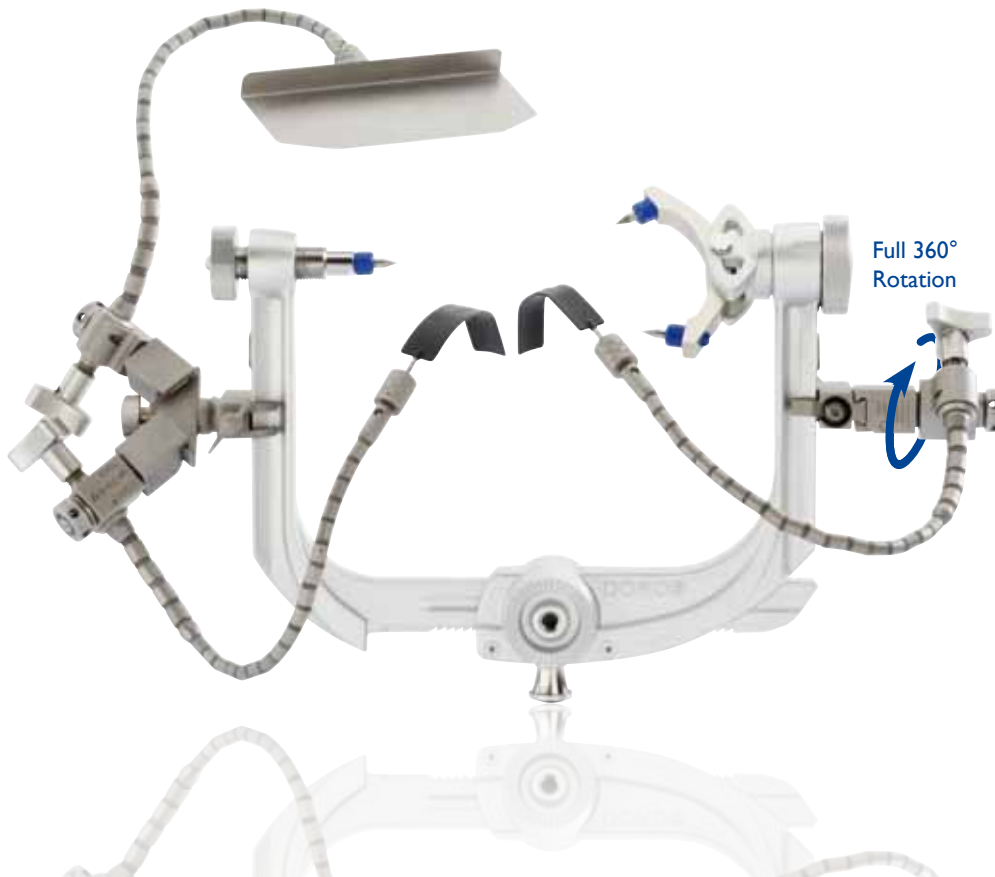
Skull Clamp and Pins are not included in Sets.
More accessories on page 26-29.



C-Clamp Set-up
(3215-00)

DORO® Quick-Clamp Retractor System

mounted on DORO® Skull Clamp



Halo Universal Key
Item-No. 3110-80



DORO® Quick-Clamp Retractor System Item-No. 1201.100T (Set):

Description	Item-No.
DORO® Quick-Clamp	1202.014
DORO® Quick-Clamp Twin QR Coupling Set	1201.010
Halo Universal Key (2pcs)	3110-80
Halo Pattie Tray	3110-85
Flexible Rotary Arm 350 mm (2pcs)	3114-38
Flexible Rotary Arm 420 mm	3114-48
Quick-Rail® Storage and Sterilization Case	3114-58
Blade Set (5pcs), black coated, 102 mm (2sets)	3116-101

Other Key Accessories

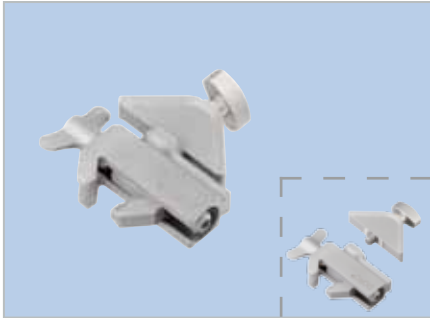
DORO® QR3 Skull Clamp	1001.001
DORO® Multi-Purpose Skull Clamp	3020-50
Flexible Rotary Arm 200 mm	3114-36
Flexible Rotary Arm 280 mm	3114-37
Blade Set (5pcs) conical, black coated, 152 mm	3116-10

Key Features

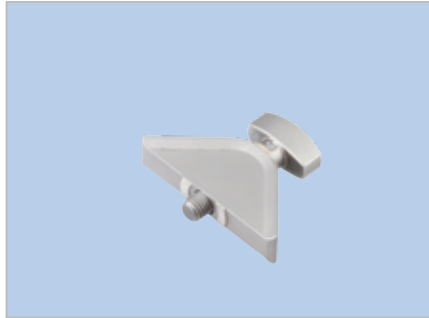
- Attaches directly to the Quick-Rail® of the DORO® Skull Clamp via Quick-Clamps.
- For quick, secure connection and repositioning of Retractor Arms.
- Maintains superior stability even over several layers of sterile drape.
- Flexible Arms provide continuous adjustment of retraction.
- Blades provide fine adjustments.
- 1201-100T features Flexible Rotary Arms with full 360° rotation. Replaces Item-No. 3250-00.

Skull Clamp and Pins are not included in Sets.
More accessories on page 26-29.

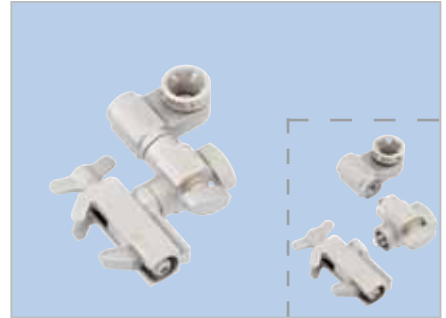
DORO® 'Rail-It' and Retractor Accessories



**DORO® Quick-Clamp
Twin QR Coupling Set**
Item-No. 1201.010



**DORO® Quick-Clamp
Coupling Twin QR**
Item-No. 1201.043



**DORO® Quick-Clamp
Halo Coupling Set**
Item-No. 1202.010



DORO® Quick-Clamp
Item-No. 1202.014



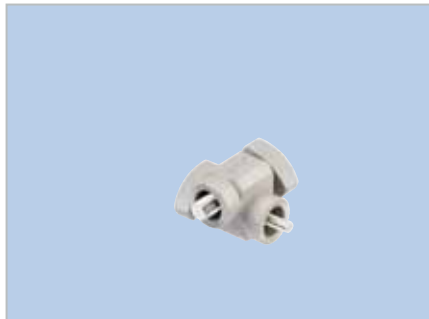
**DORO® Quick-Clamp
Coupling Universal**
Item-No. 1202.015



**DORO® Halo Support
Rod Holder**
Item-No. 1202.016



**DORO® Quick-Clamp J-Arm
Coupling Set**
Item-No. 1203.010



**DORO® Quick-Clamp
Coupling J-Arm**
Item-No. 1203.015



**DORO® Quick-Clamp
IGS Arm Coupling Set**
Item-No. 1201.040



**DORO® Quick-Clamp IGS
Articulated Support Arm**
Item-No. 1201.041

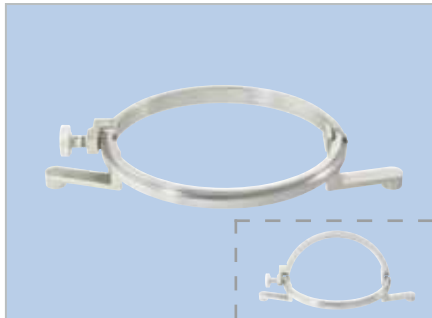


**DORO® Quick-Clamp w/
Interface Mizuho-Type Retractors**
Item-No. 1201.045



**Halo Support Bracket w/
C-Clamp Adaptor**
Item-No. 3110-51

DORO® 'Rail-It' and Retractor Accessories



DORO® Halo Ring
Item-No. 3110-01



DORO® Half Ring, fixed
Item-No. 3110-02



DORO® Halo Support Rod 8mm
Item-No. 3110-08



DORO® J-Arm 300 mm
Item-No. 3211-00



DORO® Mini J-Arm 125 mm
Item-No. 3209-00



DORO® Support Handrest J-Arm
Item-No. 3210-52



J-Arm Support Bracket w/
C-Clamp Adaptor
Item-No. 3213-00



DORO® J-Arm to Halo Adaptor
Item-No. 3213-001



Clamp Body for Skin Hooks
Item-No. 3114-53



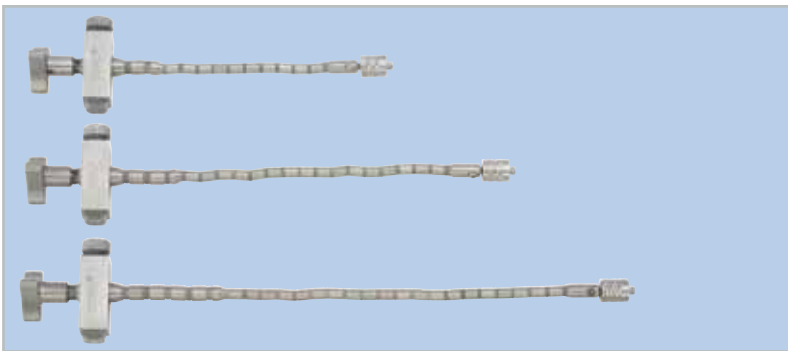
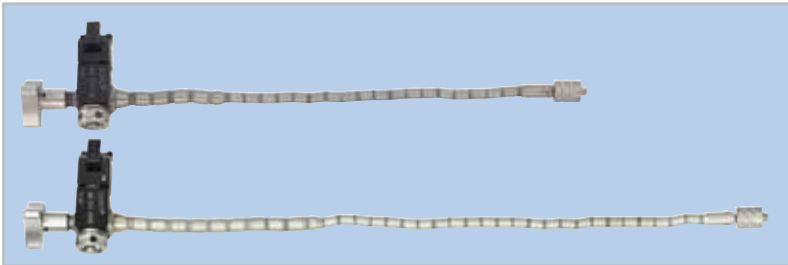
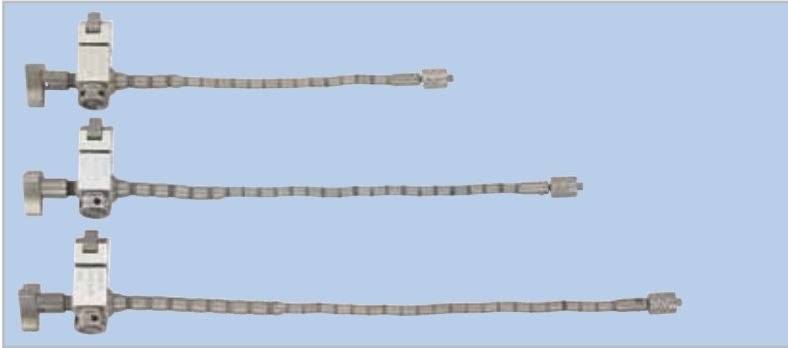
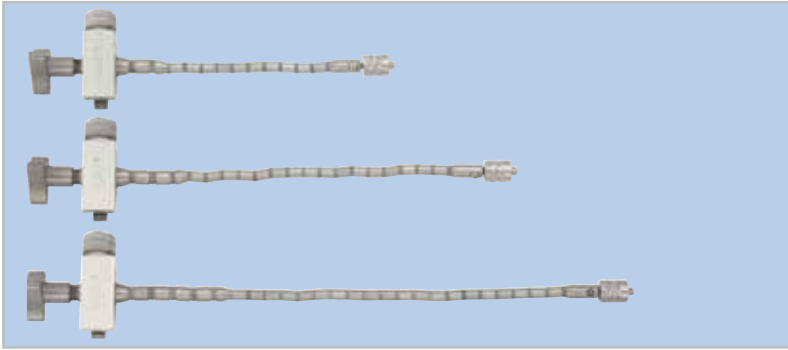
Halo Pattie Tray
Item-No. 3110-85



Mini Vice
Item-No. 3114-54



Halo Universal Key
Item-No. 3110-80



Flexible Arms

Description	Item-No.
Flexible Arm 150 mm	3114-33
Flexible Arm 230 mm	3114-34
Flexible Arm 300 mm	3114-35

Flexible Rotary Arms

Description	Item-No.
Flexible Rotary Arm 200 mm	3114-36
Flexible Rotary Arm 280 mm	3114-37
Flexible Rotary Arm 350 mm	3114-38
Flexible Rotary Arm 420 mm (not shown)	3114-48

Flexible Rotary Arms for RDL Quick-Rail®

Description	Item-No.
Flexible Rotary Arm for RDL Quick-Rail® 280 mm	3114-39
Flexible Rotary Arm for RDL Quick-Rail® 420 mm	3114-49

Flexible Arms w/ interface for other brands' halos

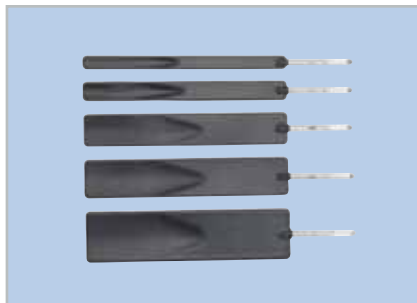
Description	Item-No.
Flexible Arm 150 mm	3114-03
Flexible Arm 230 mm	3114-04
Flexible Arm 300 mm	3114-05

Key Features

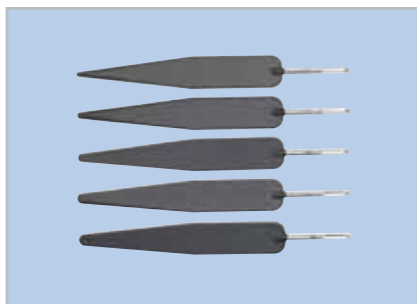
- Standard and Rotary Flexible Arms for optimal positioning and unlimited retraction within the surgical field.
- Easy and fast to connect and reposition on the Quick-Rail®.
- Maintain superior stability even over multiple layers of sterile drape through Quick-Clamp and provide continuous adjustment of retraction.
- Flexible Rotary Arms provide full 360° Rotation.
- Blades provide fine adjustments.
- Compatible with all DORO® McCue Halo, Halo, J-Arm and Brain Retractor Systems.
- Connect directly to all DORO® Skull Clamps via Quick-Clamp or Quick-Rail®.



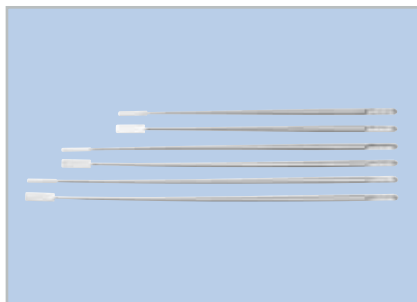
Full 360° Rotation



Blade Set, black coated		
Set 5pcs/ 152 mm		3116-10
Description	Item-No.	
152 x 6 mm	3116-11	
152 x 10 mm	3116-12	
152 x 16 mm	3116-13	
152 x 19 mm	3116-14	
152 x 25 mm	3116-15	
152 x 13 mm (not in set)	3116-16	



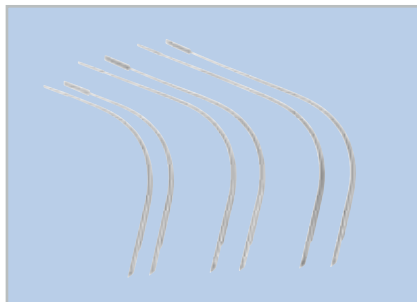
Blade Set, conical, black coated		
Set 5pcs/ 152 mm		3116-60
Description	Item-No.	
152 x 2 mm	3116-61	
152 x 3 mm	3116-62	
152 x 4 mm	3116-63	
152 x 5 mm	3116-64	
152 x 6 mm	3116-65	



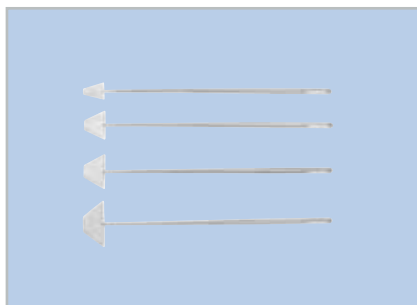
Micro Blade Set		
Set 6pcs		3116-20
Description	Item-No.	
114 x 2 mm	3116-21	
114 x 4 mm	3116-22	
140 x 2 mm	3116-23	
140 x 4 mm	3116-24	
165 x 2 mm	3116-25	
165 x 4 mm	3116-26	



Micro Blade Set, serrated		
Set 6pcs		3116-30
Description	Item-No.	
114 x 2 mm	3116-31	
114 x 4 mm	3116-32	
140 x 2 mm	3116-33	
140 x 4 mm	3116-34	
165 x 2 mm	3116-35	
165 x 4 mm	3116-36	



Micro Blade Set, hooked		
Set 6pcs		3116-40
Description	Item-No.	
114 x 2 mm	3116-41	
114 x 4 mm	3116-42	
140 x 2 mm	3116-43	
140 x 4 mm	3116-44	
165 x 2 mm	3116-45	
165 x 4 mm	3116-46	



Micro Blade Set, tapered, length 127 mm		
Set 4pcs		3116-50
Description	Item-No.	
3,2 x 9,5 mm	3116-51	
5,1 x 15,9 mm	3116-52	
6,3 x 19,0 mm	3116-53	
7,9 x 25,4 mm	3116-54	

Blade Set, black coated		
Set 5pcs/ 102 mm		3116-101
Description	Item-No.	
102 x 6 mm	3116-111	
102 x 10 mm	3116-121	
102 x 16 mm	3116-131	
102 x 19 mm	3116-141	
102 x 25 mm	3116-151	
102 x 13 mm (not in set)	3116-161	

Blade Set, conical, black coated		
Set 5pcs/ 102 mm		3116-601
Description	Item-No.	
102 x 2 mm	3116-611	
102 x 3 mm	3116-621	
102 x 4 mm	3116-631	
102 x 5 mm	3116-641	
102 x 6 mm	3116-651	

Blade Set, rounded tip, black coated		
Set 5pcs/ 102 mm		3116-70
Description	Item-No.	
102 x 6 mm	3116-71	
102 x 10 mm	3116-72	
102 x 16 mm	3116-73	
102 x 19 mm	3116-74	
102 x 25 mm	3116-75	



NEW! Blade Set, rounded tip, black coated

Key Features

- Extensive accessories program with black mat finish retractor blades, in both conical and square configurations, eliminating light reflection under the microscope.



DORO® Radiolucent Halo Retractor System

mounted on DORO® radiolucent Skull Clamp



Halo Quick-Rail® Adaptor
RDL/Halo Alu (3114-59)

Quick-Rail® Adaptor J-Arm RDL/Alu
(3114-60) (not shown)



DORO® Halo Retractor System Radiolucent Item-No. 3037-00 (Set):

Description	Item-No.
Halo Ring Radiolucent	3037-01
Rod and Fixation Assembly, Radiolucent (2pcs)	3037-04
Halo Universal Key (2pcs)	3110-80
Halo Pattie Tray	3110-85
Flexible Rotary Arm for RDL Quick-Rail® 280 mm (3pcs)	3114-39
Blade Set (5pcs), black coated (2sets)	3116-101

DORO® Open Halo Retractor System Radiolucent Item-No. 3038-00 (Set):

Description	Item-No.
Quarter Ring Radiolucent, variable	3037-02
Half Ring Radiolucent, fixed	3037-03
Rod and Fixation Assembly, Radiolucent	3037-04
Halo Universal Key (2pcs)	3110-80
Halo Pattie Tray	3110-85
Flexible Rotary Arm for RDL Quick-Rail® 280 mm (3pcs)	3114-39
Blade Set (5pcs), black coated (2sets)	3116-101

Key Features

- Mounts directly to the DORO® radiolucent Skull Clamp via Quick-Rail®.
- Halo is completely radiolucent and may remain in place during intra-operative imaging.
- Split Ring allows angling for different level of retraction. Half ring can be removed for greater access.
- The DORO® Open Halo Retractor System features a half-ring with a quarter ring for maximum unobstructed access to the surgical field. Quarter ring can be removed for greater access.



Halo Ring Radiolucent
Item-No. 3037-01



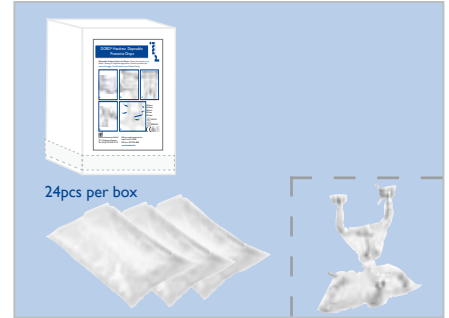
Quarter Ring Radiolucent
Item-No. 3037-02
Half Ring Radiolucent
Item-No. 3037-03



DORO® Crossbar Adaptor
Item-No. 3007-00
For sitting positions.



Universal Side Rail Fitting
Item-No. 3007-50
For attachment of 3007-00 or 3001-007.



Disposable Headrest Protective Drape
Item-No. 3010-10
Non-sterile. Fits all Headrest Systems.



Headrest Wall Storage Unit
Item-No. 3013-00
32" w x 37" h.



Cervical Spine Support
Item-No. 3012-00
Neck support for anterior spine surgery.



Table Adaptor
Item-No. 3010-00
Mounted on square receptacle of OR table.



Side Rail OR Table Adaptor
Item-No. 3011-00
Fits on side rails of OR table lacking inserts.



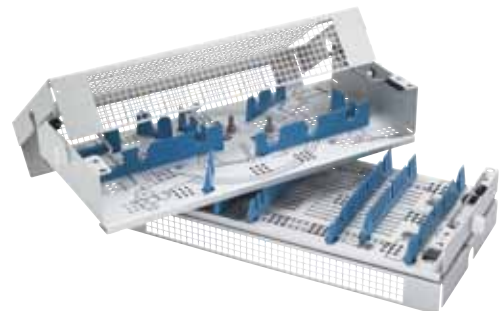
Side Rail OR Table Adaptor Amsco®
Item-No. 3011-10
Fits 3000, 4000 & 5000 series.



Amsco® Headrest Adaptor
Item-No. 3011-11
Fits 3080 & 3085 series.

DORO® Sterilization Cases

Description	Item-No.
Quick-Rail® Storage and Sterilization Case	3114-58
Halo Sterilization Case w/ Rack (shown)	3117-00
J-Arm Sterilization Case w/ Rack	3214-00
Halo Sterilization Case (RDL System)	6300-13



For more accessories visit our website
headrest.de

headrest.de

Headquarters

pro med instruments GmbH
Boetzinger Str. 38
79111 Freiburg, Germany
☎ +49 (0)761-384-222-10
✉ pmi@headrest.de

U.S.A.

pro med instruments, Inc.
4529 SE 16th Pl, Suite 101
Cape Coral, FL 33904, US
☎ 1-877-225-4086
✉ pmi.us@headrest.de

DORO® Representative

DORO® – *Simply Better Built ... Simply More Choices.*